

Trillium TR-3x

Line Scan Cameras



Overview

Performance. Precision. Programmability.

Key Features

- 3 chip design with prism beamsplitter and interference filters
- Delayed double sampling (DDS) for noise reduction
- 100% fill factor, exposure control, antiblooming

Programmability

- Camera self calibration and self color balancing
- Simple ASCII protocol can control virtually all camera functions
- Programmable pushbutton and configurable inputs to trigger almost any camera function without PC connection

Typical Applications

- Patterned color web inspection
- High resolution color machine vision and document scanning
- Industrial inspection, including printed circuit boards, bank notes and food

The Trillium line scan cameras use beam-splitting prisms, interference filters, and three separate image sensors to provide the best color images in the industry.

High sensitivity, three channels (Red, Green, and Blue) of LVDS output @ 25 MHz, and superior color registration are just the start of this camera's power. Advanced features such as programmable pixel-by-pixel color correction and balancing, self-calibration, and on-camera diagnostic display make the Trillium the new color performance leader.

Not only does the Trillium provide better images, its integrated signal processing compensates for lighting and lens variations, allowing easier, more economical system design with lower maintenance and lower lifetime cost.

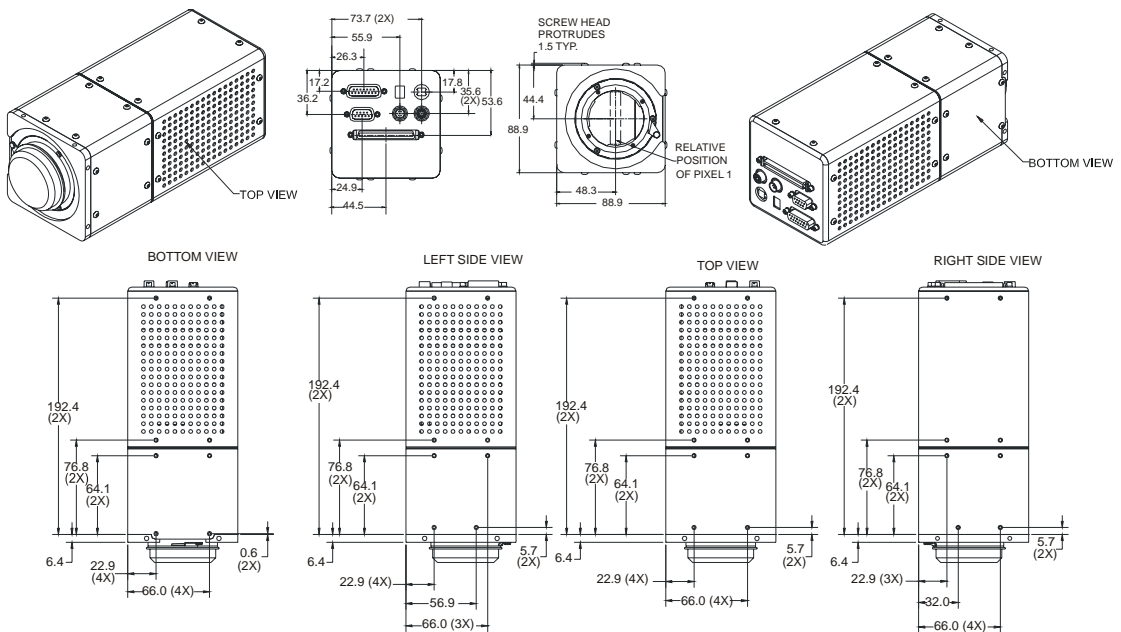
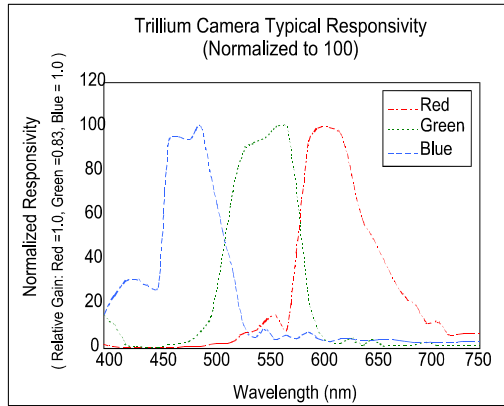
Specifications

Resolution	1024 / 2048
Data Rate	3 x 25 MHz
Max. Line/Frame Rate	21 / 11 kHz
Pixel Size	14 μm
Data Format	8 bit LVDS (RGB)
Output	3 x 8 Bit LVDS @25 MHz
Lens Mount	Nikon F, Mamiya, or Canon FD
Responsivity	2.1 to 16.8 DN/(nJ/cm ²)
Dynamic Range	54 dB
Nominal Gain Range	-6 dB to +12 dB
Size	89 mm x 89 mm x 219 mm
Mass	1.4 kg
Operating Temp	0 °C to 50 °C
Power Supply	12 V to 15 V
Power Dissipation	15 W
Regulatory Compliance	CE
Control	DB15F
Data	MDR68F
Power	Hirose HR10A 6 pin
Example Part Number	TR-37-01k25

Trillium TR-3x

Line Scan Cameras

Trillium's beam-splitting prism allows capture of three separate colors from a common optical axis.



NOTE: ALL DIMENSIONS ARE IN MM.