

# Piranha Color PC-30

Line Scan Cameras



**Piranha Color PC-30**

## Key Features

- 2k or 4k color trilinear sensor
- 3 pixel center-to-center spacing between pixel rows
- Spatially corrected output
- Forward and reverse scanning
- 32.3 kHz (2k80) or 17.6 kHz (4k80) maximum line rates
- Base or Medium Camera Link

## Programmability

- Programmable flat field correction and white balancing
- Programmable gain and offset
- 8 or 12 bit output
- Adjustable integration time and line rate
- Test pattern, line statistics, and camera diagnostics

## Typical Applications

- 100% print inspection
- Electronic manufacturing inspection
- Postal/parcel sorting
- High performance document scanning/ image lift
- Full web inspection
- High-end industrial inspection
- Food inspection

## Overview

# Dream in color—high speed, high resolution, high fidelity color.

Piranha Color cameras deliver superb color fidelity at the fastest line rates and highest resolutions in the industry. DALSA's RGB trilinear sensor eliminates artifacts associated with prism cameras by placing a separate row of pixels for each color on a single sensor die. DALSA's advanced design minimizes distance between rows (equivalent to three pixels center-to-center) to minimize image artifacts due to synchronization.

The result is higher quality images at higher speed. With a single power supply and Camera Link interface, the camera is both easy to use and powerful, offering programmable gains and offsets for each color.

If you're dreaming in color, take a look at a Piranha color camera. Dreams do come true.

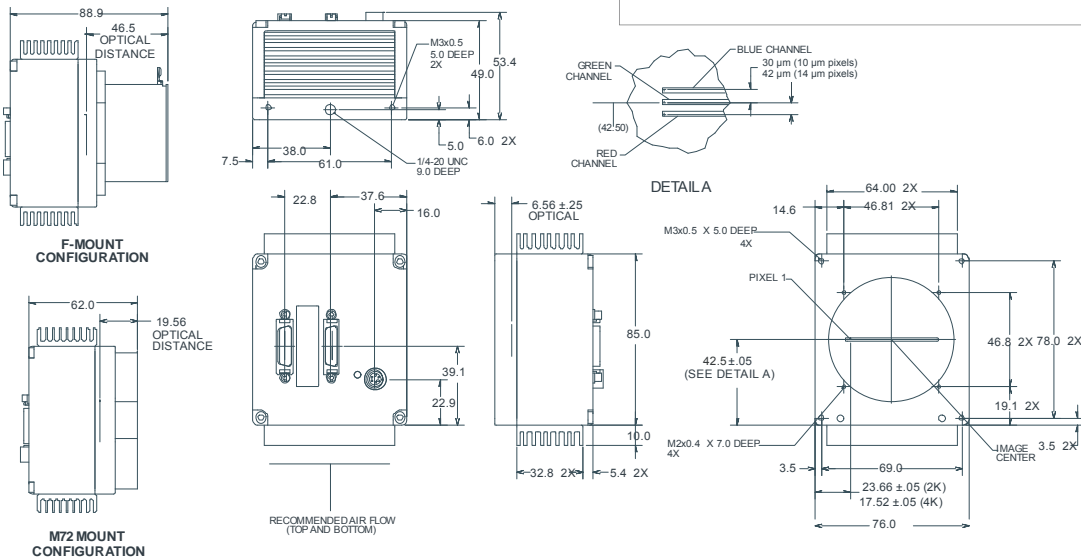
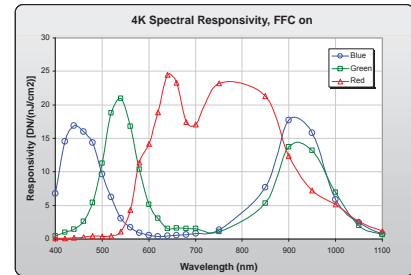
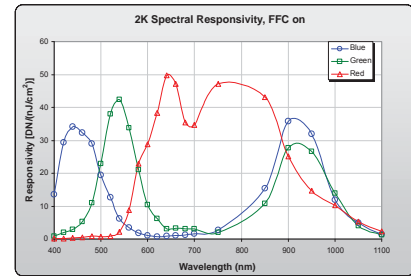
## Specifications

Resolution	2048 / 4096
Data Rate	3 x 60 or 80 MHz
Max. Line/Frame Rate	32.3 / 17.6 kHz
Pixel Size	14 $\mu\text{m}$ (2k) / 10 $\mu\text{m}$ (4k)
Data Format	8, 12 bit
Output	Base or Medium Camera Link
Lens Mount	F mount or M72 x 0.75
Responsivity	see graph
Dynamic Range	>50 dB
Nominal Gain Range	$\pm 10$ dB
Size	76 x 105 x 50 mm
Mass	<450 g
Operating Temp	0 °C to 50 °C
Power Supply	12 V to 15 V
Power Dissipation	12 W
Regulatory Compliance	CE Pending
Control	MDR26 Camera Link
Data	Shared with Control
Power	Hirose HR10 6 pin
Example Part Number	PC-30-04K80, PC-30-04K60

# Piranha Color PC-30

Line Scan Cameras

The Piranha Color camera uses a trilinear CCD sensor with 3 lines of pixels: one blue, one red and one green.



NOTES:  
 1) TOLERANCE (UNLESS OTHERWISE SPECIFIED)  
 XX ± 30  
 X ± 5  
 2) ROTATION WRT CAMERA EDGE IS .2° MAX

[www.dalsa.com](http://www.dalsa.com)

**Americas**  
 Boston, USA  
 Tel: +1 978-670-2000  
 sales.americas@dalsa.com

**Europe**  
 Munich, Germany  
 Tel: +49 8142-46770  
 sales.europe@dalsa.com

**Asia Pacific**  
 Tokyo, Japan  
 +81 3-5960-6353  
 sales.asia@dalsa.com

DALSA is an international leader in digital imaging and semiconductors and has its corporate offices in Waterloo, Ontario, Canada.

All trademarks are registered by their respective companies. DALSA reserves the right to make changes at any time without notice. © DALSA 2008. piranha\_color\_pc30\_102108

